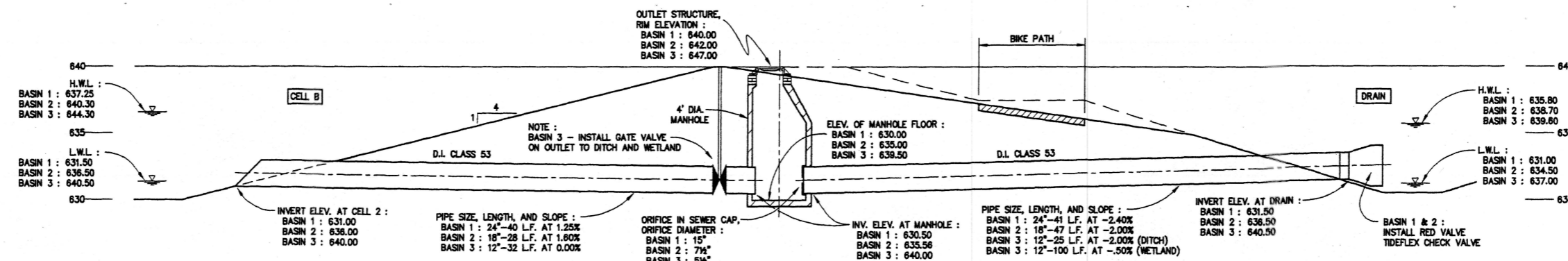


CROSS SECTION - CELL B OVERFLOW STRUCTURE

SCALE 1" = 5'



CROSS SECTION - CELL B SLOW RELEASE STRUCTURE

SCALE 1" = 5'

detention
basin details

SCALE: AS NOTED



By: _____
 No. _____ Date: _____
 Drawn By: _____
 Checked By: TDI/DAC
 Date: 10-13-97
 Scale: AS NOTED

Location: 1/2 OF THE NORTH 1/2 OF SECTION 28, T4N, R12E, W4E, KENT COUNTY, MICHIGAN

©1996-2000, Intergraph Corporation. All rights reserved.