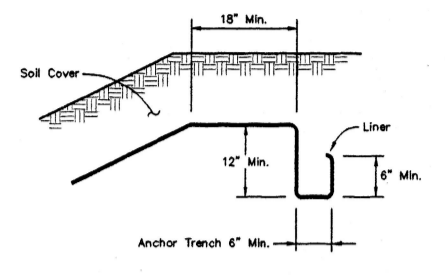


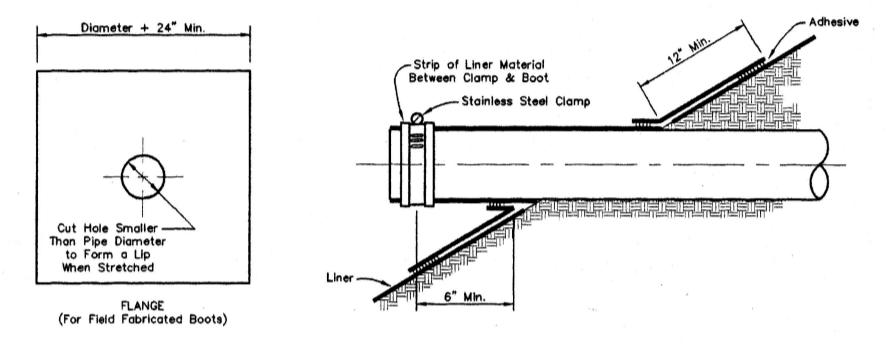
Plan View

Detention Basin Structure Dimension Table

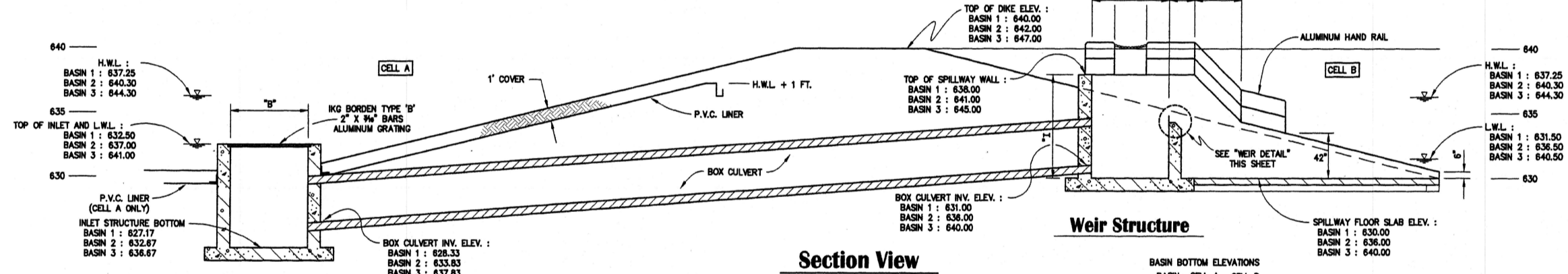
DETENTION BASIN NUMBER	"A" SPILLWAY WIDTH	"B" WEIR CHANNEL LENGTH	"C" SPILLWAY LENGTH	"D" DIST. C/L TO WEIR	"E" BOX CULVERTS NUMBER	"F" SIZE	"G" LENGTH	"H" CULVERT SPACING C/L TO C/L	"I" LENGTH OF WALL EXTENSION	"J" LENGTH OF WALL TRANSITION	"K" HEIGHT OF WALL
1	36'-0"	6'-0"	20'-0"	18'-0"	3 EA.	6' x 3'	60'	12'-0"	2'-0"	3'-6"	5'-0"
2	30'-0"	4'-0"	11'-0"	13'-0"	3 EA.	4' x 2'	42'	10'-0"	1'-0"	2'-4"	5'-0"
3	12'-0"	4'-0"	8'-0"	20'-0"	2 EA.	4' x 2'	54'	7'-0"	1'-0"	3'-4"	5'-0"



DETAIL LINER ANCHOR TRENCH
NO SCALE



PIPE BOOT DETAIL
NO SCALE



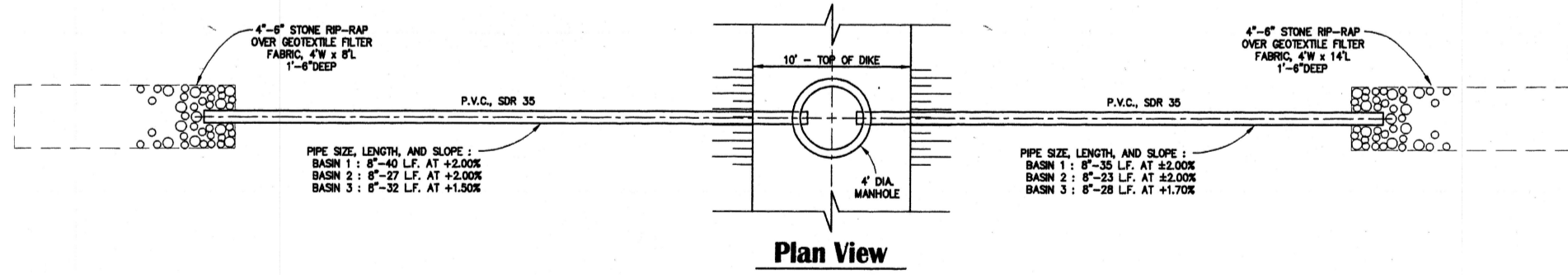
DETENTION BASIN STRUCTURE DETAIL

SCALE 1" = 5'

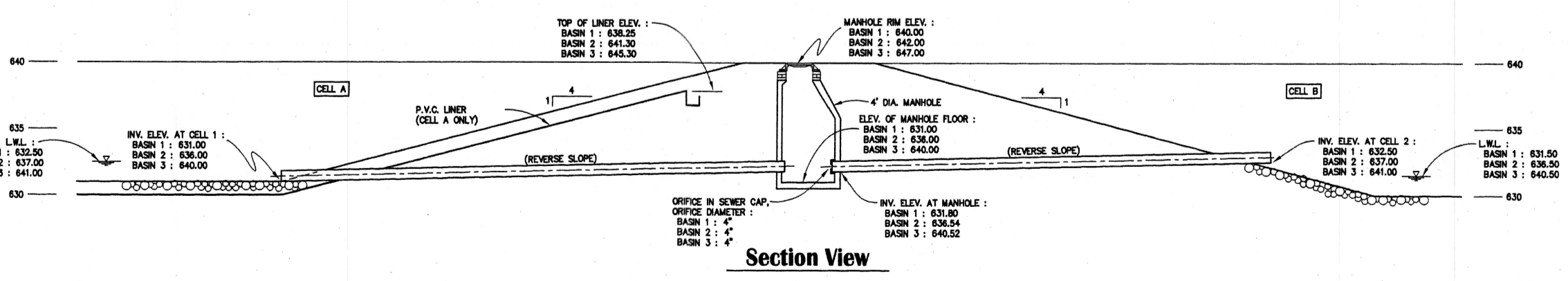
BASIN BOTTOM ELEVATIONS

BASIN	CELL A	CELL B
1	630.0	* 630.0
2	636.0	636.0
3	640.0	640.0

* VARIES, SEE ROUGH GRADING PLAN



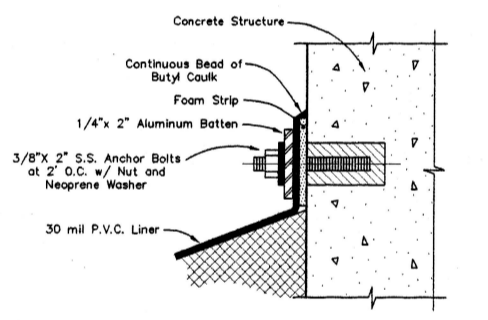
Plan View



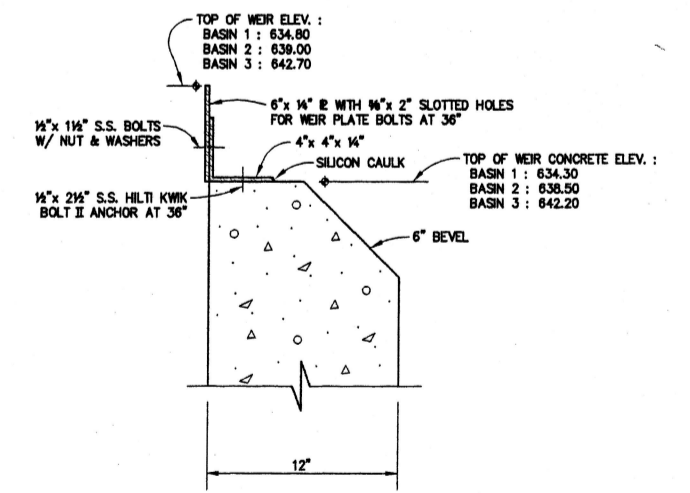
Section View

SLOW RELEASE DRAIN STRUCTURE DETAIL

SCALE 1" = 5'



DETAIL LINER ATTACHMENT
NO SCALE



WEIR DETAIL
NOT TO SCALE

detention basin details

SCALE: AS NOTED

1200 Business Park Drive
 Westfield, MA 01085-9607
 Phone: 413-253-1100
 Fax: 413-253-1403
Gosling Czabak
 Engineering & Surveying, Inc.
 Environmental Services
 No. _____
 Date: 10-13-97
 Drawn By: T.F.
 Checked By: TDH/DAC
 Scale: AS NOTED
 Location: PART OF THE NORTH 1/2 OF SECTION 29, T. 6 N., R. 12 W., KENT COUNTY, MICHIGAN
DETENTION BASIN DETAILS
River Town Crossings
 Sheet Title: _____
 Project: _____
 Project No. 96300.09
 Sheet 33 of 38