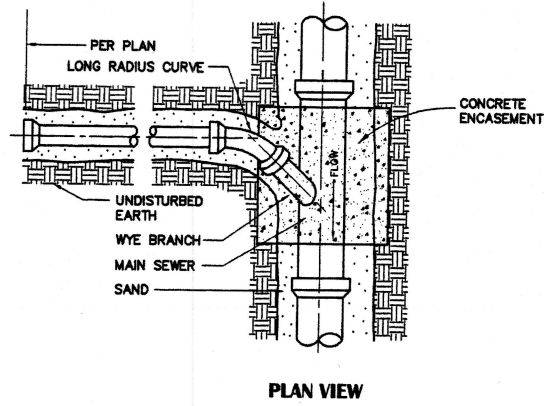
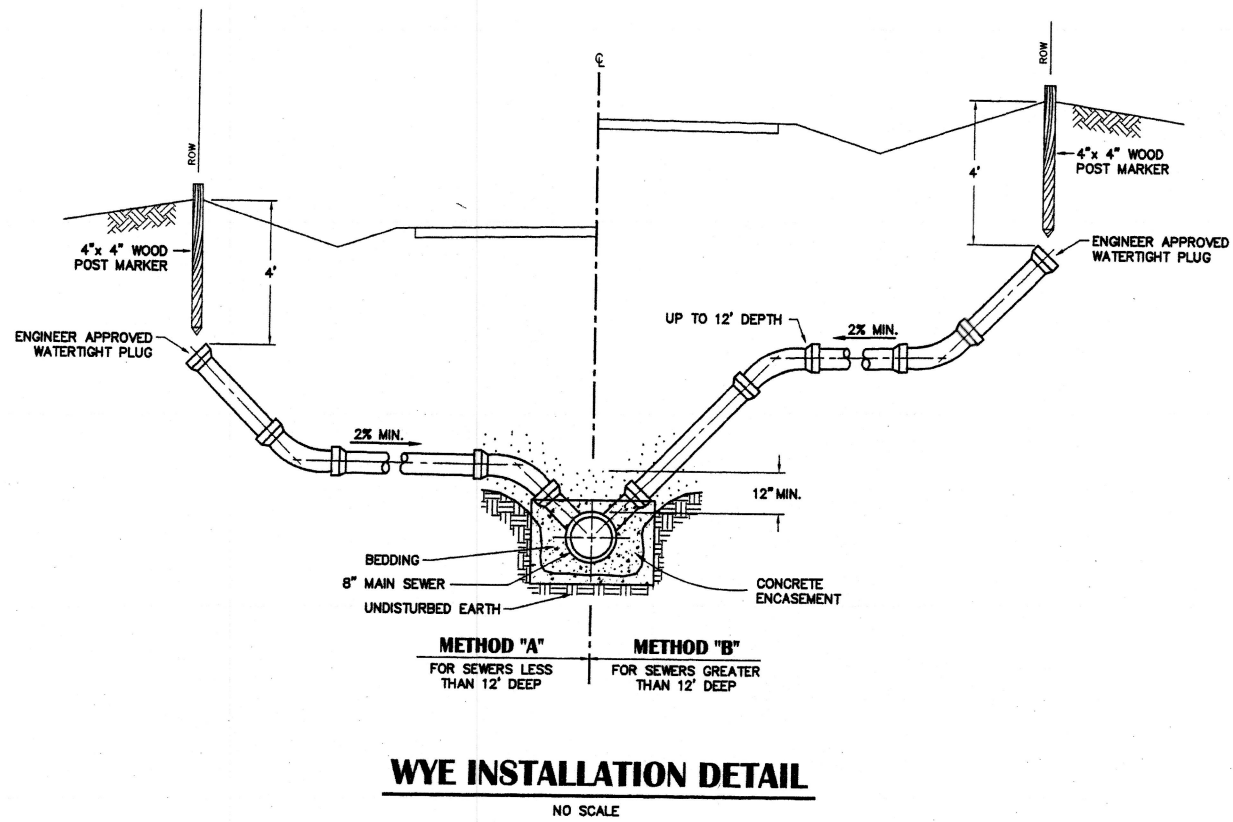


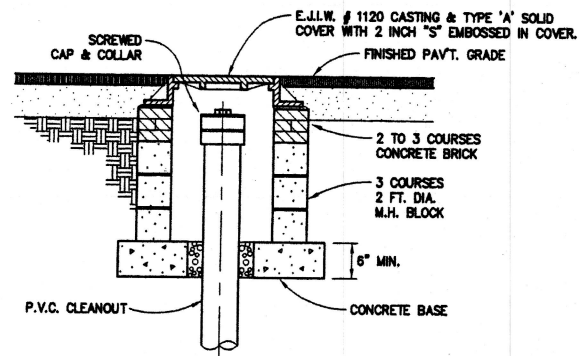
TRENCH DETAIL
NO SCALE



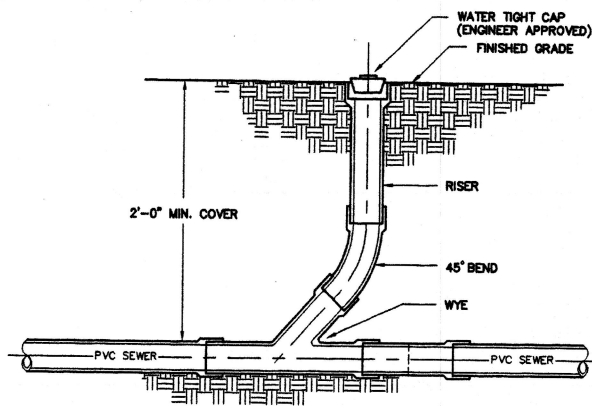
PLAN VIEW



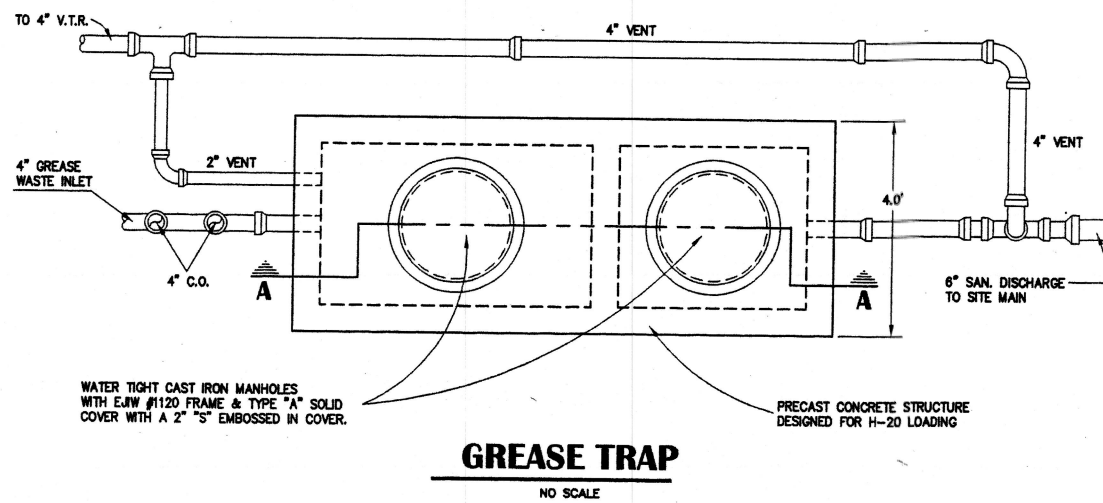
WYE INSTALLATION DETAIL
NO SCALE



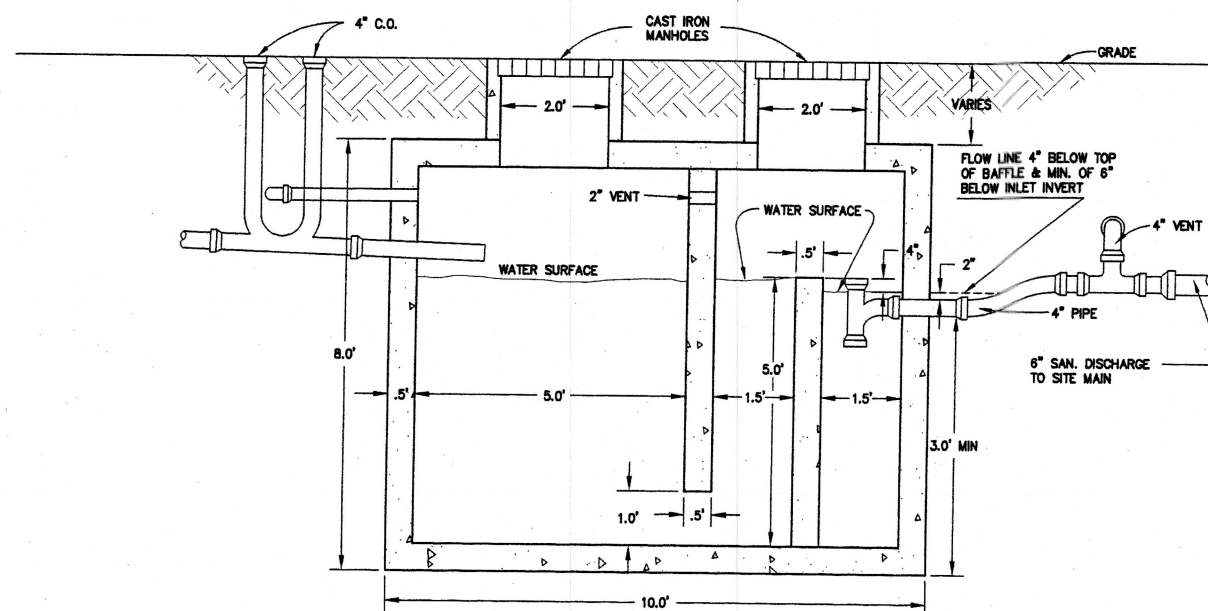
SANITARY CLEANOUT VAULT DETAIL
NO SCALE



SANITARY WYE AND CLEAN-OUT DETAIL
NO SCALE

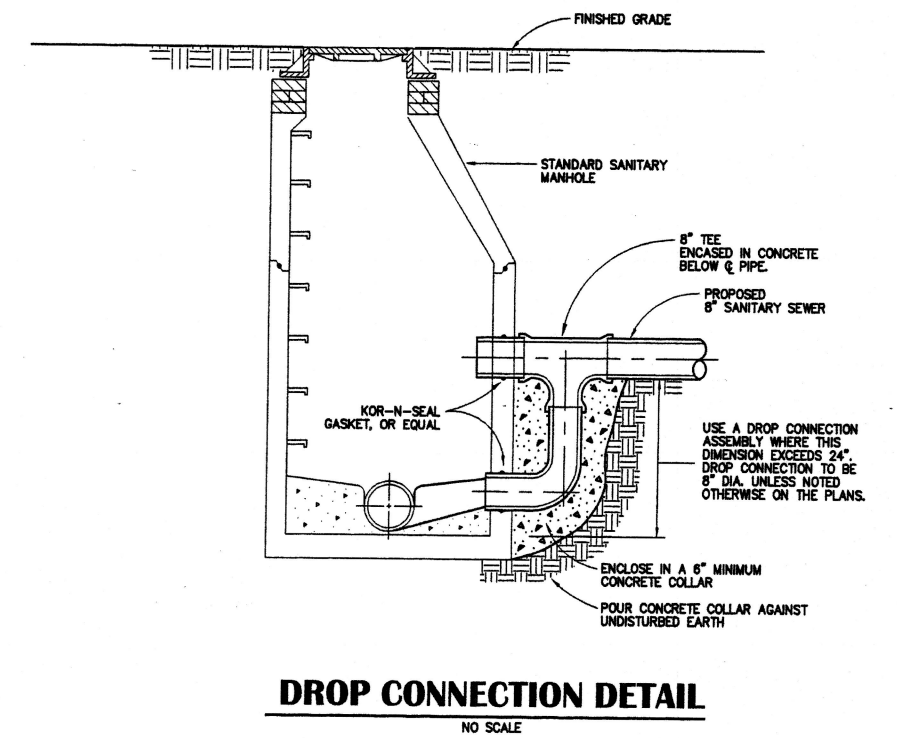


GREASE TRAP
NO SCALE

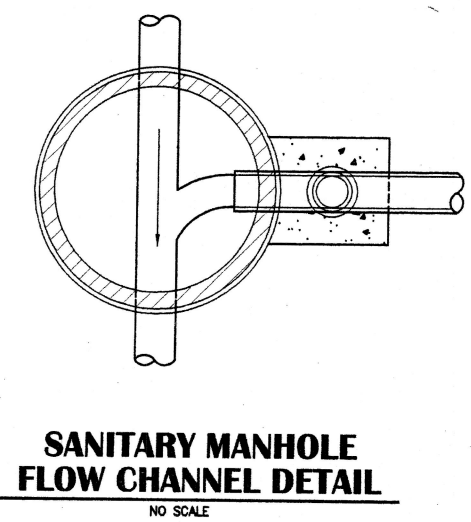


SECTION A-A
NO SCALE

SANITARY MANHOLE DETAIL
SEE CITY STANDARDS IN SPECIFICATIONS



DROP CONNECTION DETAIL
NO SCALE



SANITARY MANHOLE FLOW CHANNEL DETAIL
NO SCALE

site sanitary
utility details

SCALE: NONE

1300 Business Park Drive
 Grandville, MI 49431-3607
 616-941-1000
 Fax: 616-941-1003
Esslinger-Czuchra
 ENGINEERING ARCHITECTURE
 Environmental Services
 By: _____
 Date: _____
 No.: _____
 Drawn By: _____
 Title: _____
 Checked By: _____
 Date: 10-13-97
 Scale: AS NOTED
 Location: PART OF THE E 1/2 OF NW 1/4 OF SECTION 16, T34N, R17W, S3E, COUNTY OF GRANDVILLE, CITY OF GRANDVILLE, MICHIGAN
SITE SANITARY UTILITY DETAILS
RiverTown Crossings
 Sheet Title: _____
 Project: _____
 Project No. 96300.03
 Sheet 30 of 36